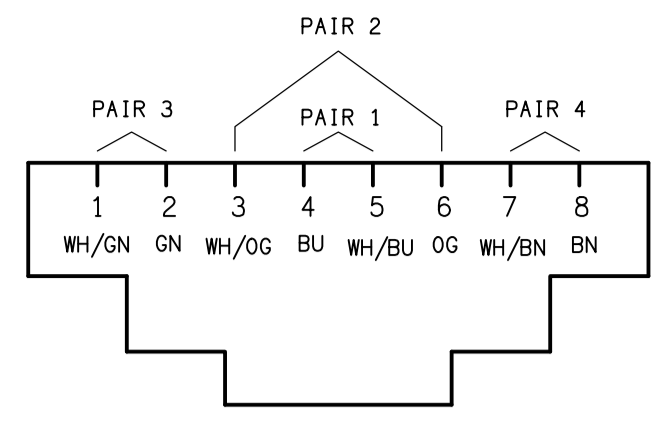
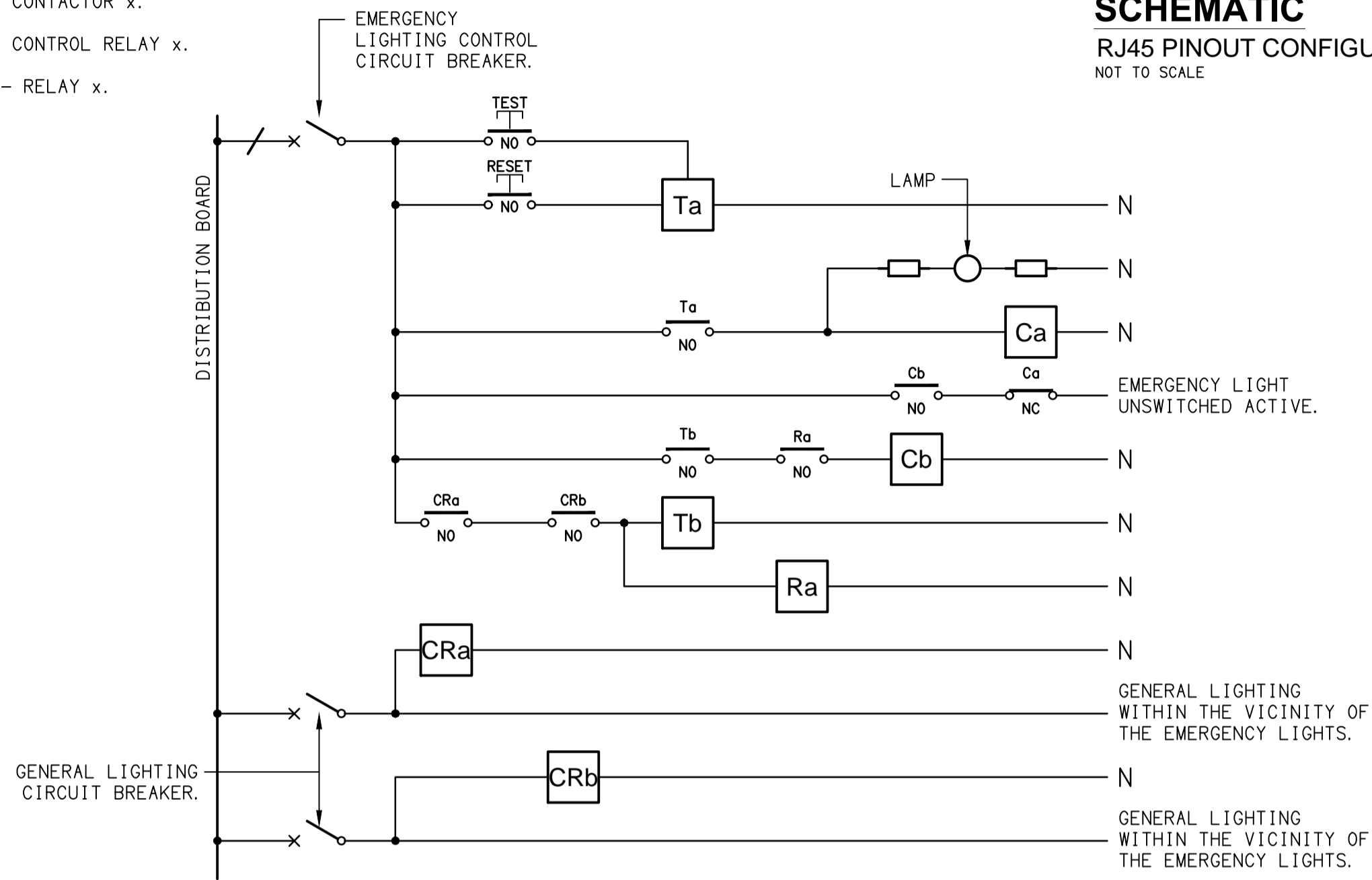


**EQUIPMENT:**

- TEST - TEST PUSH BUTTON MOUNTED ON THE DISTRIBUTION BOARD ESCUTCHEON.
- RESET - RESET PUSH BUTTON MOUNTED ON THE DISTRIBUTION BOARD ESCUTCHEON.
- LAMP - AMBER TEST INDICATING LAMP MOUNTED ON THE DISTRIBUTION BOARD ESCUTCHEON.
- Ta - ADJUSTABLE 0-3 HOUR TIMED RELAY.
- Tb - 15 MINUTE RUN-ON TIMER TO OPERATE UPON THE RETURN OF MAINS POWER.
- Cx - CONTACTOR x.
- CRx - CONTROL RELAY x.
- Rx - RELAY x.



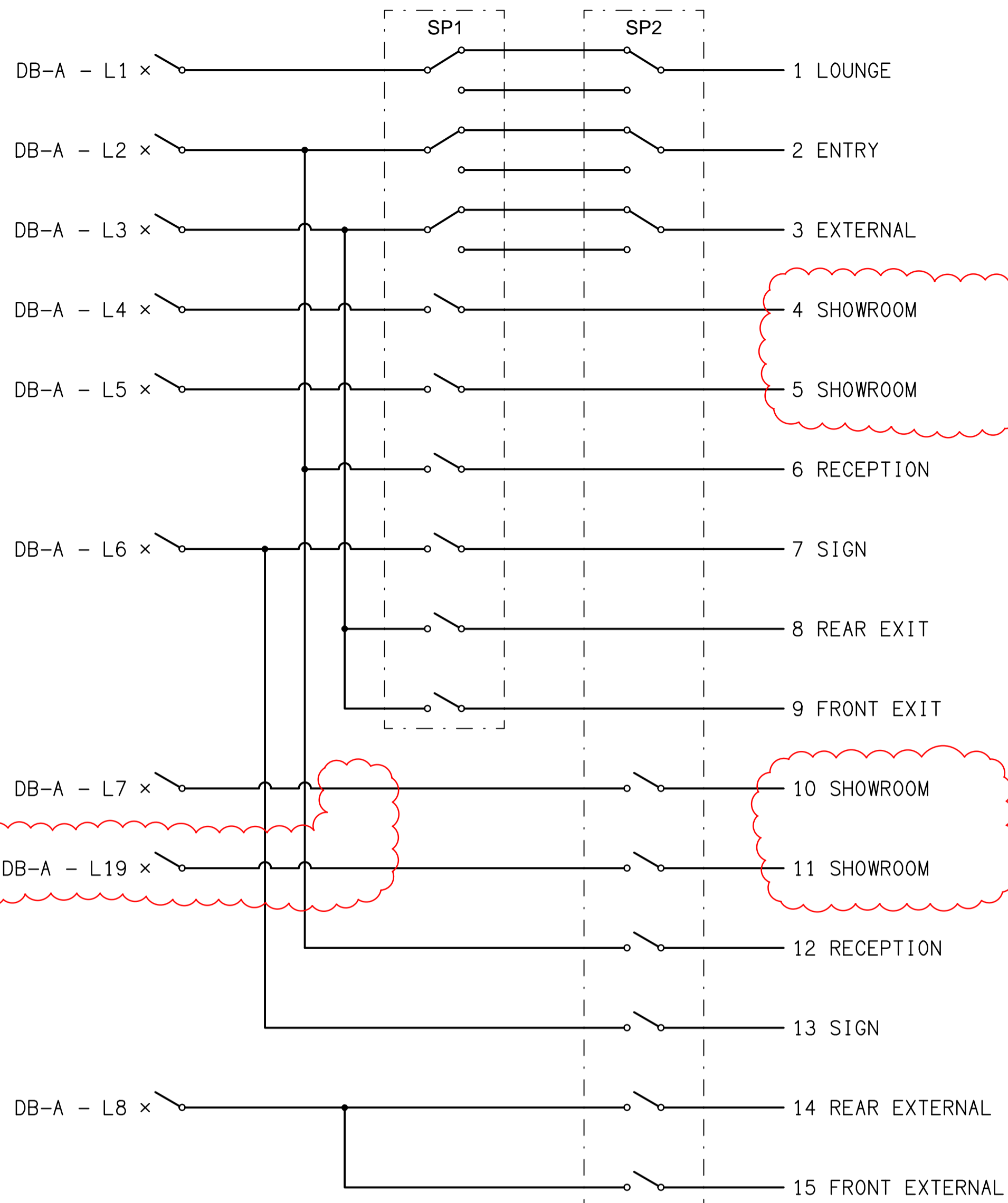
**SCHEMATIC**  
RJ45 PINOUT CONFIGURATION  
NOT TO SCALE



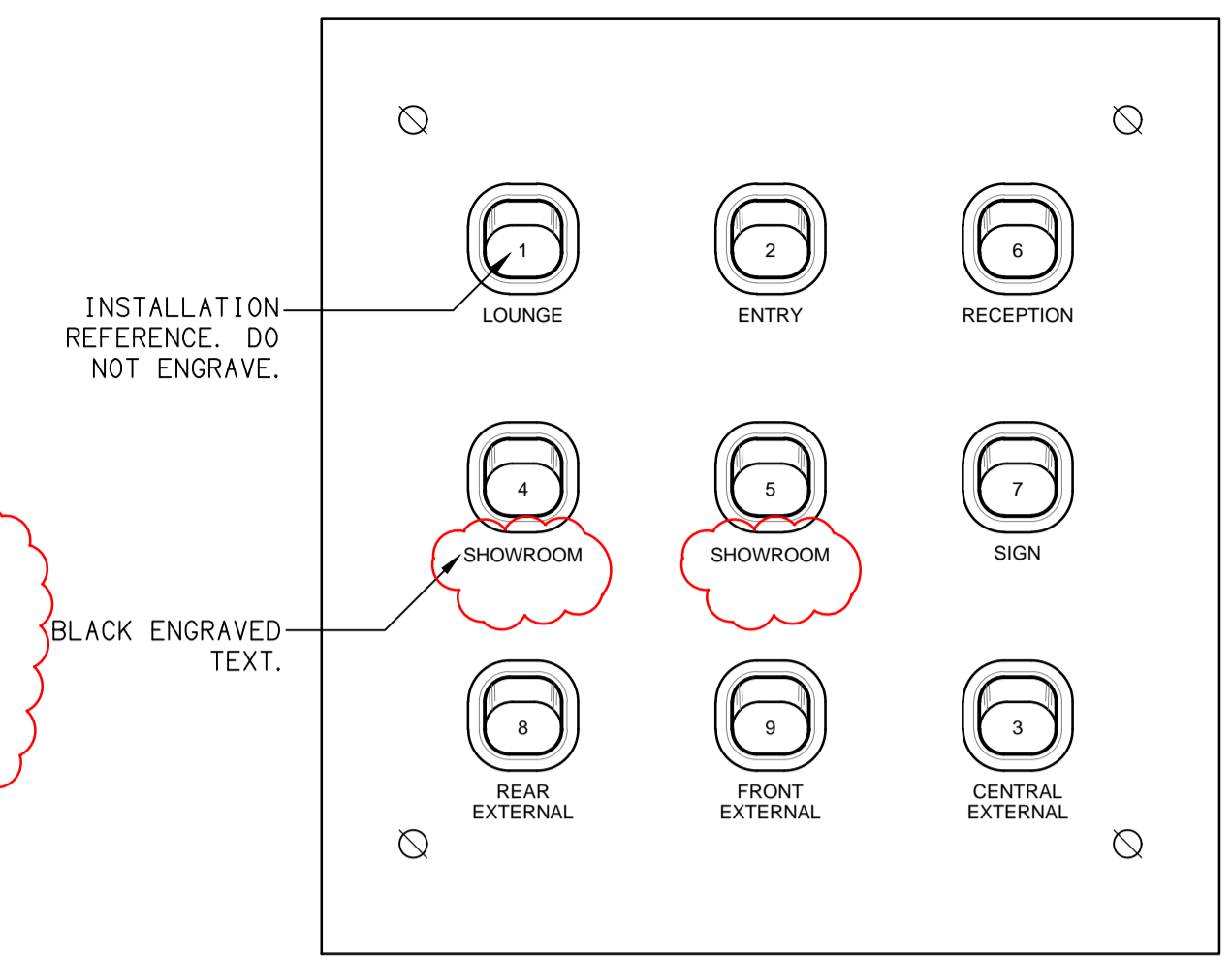
**SCHEMATIC**  
EMERGENCY LIGHTING  
NOT TO SCALE

**NOTES**

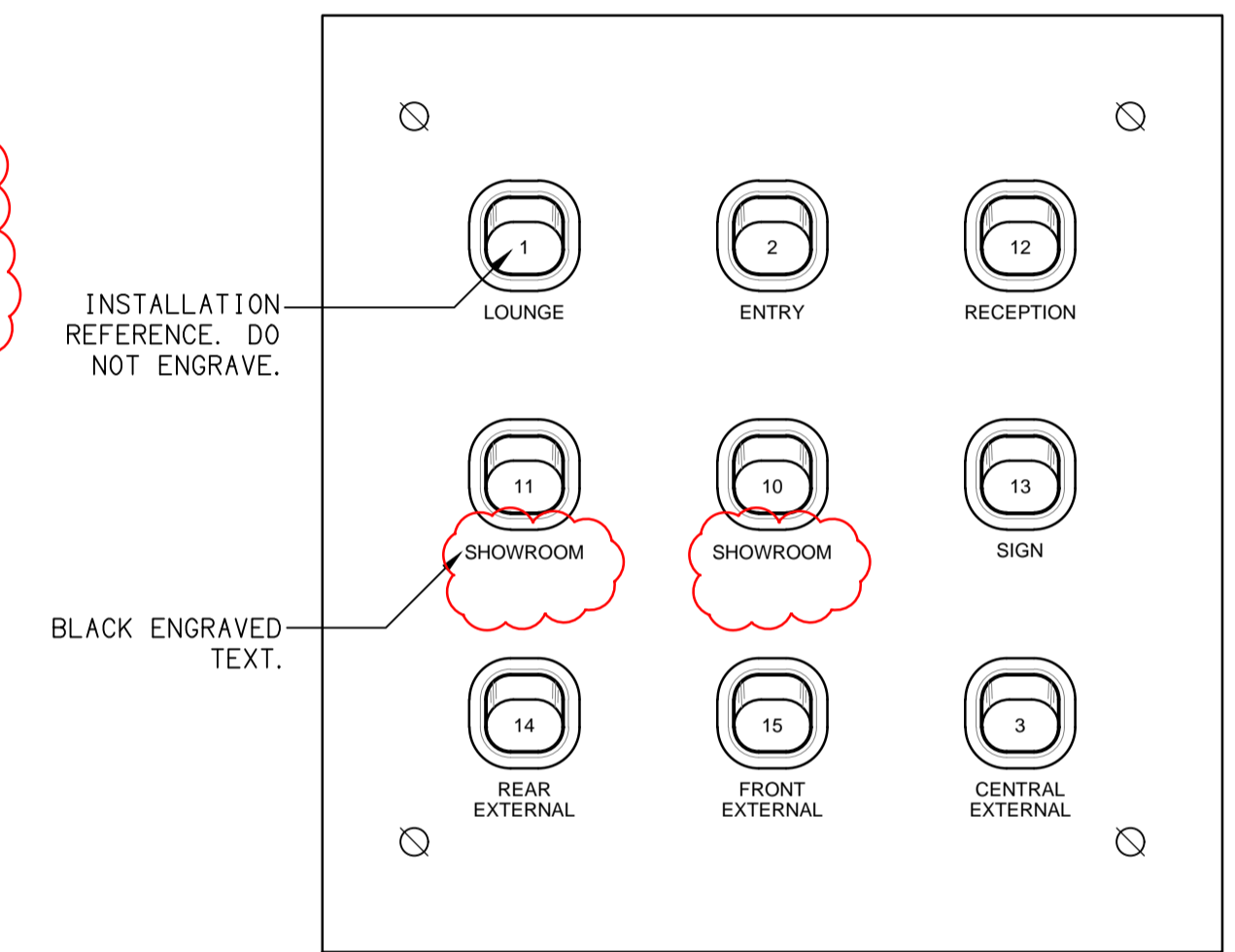
1. THE EMERGENCY LIGHT UNSWITCHED ACTIVE / GENERAL LIGHTING SWITCHED ACTIVE CIRCUIT ARRANGEMENT AND CONTROL IS TYPICAL FOR ALL CIRCUITS SUPPLYING EMERGENCY LIGHTS.
2. PROVIDE ADDITIONAL CONTROL RELAYS (CRx) CONFIGURED AS PER CRa AND CRb FOR ALL ADDITIONAL LIGHTING CIRCUITS THAT SUPPLY LIGHTS IN THE VICINITY OF THE EMERGENCY LIGHTS.



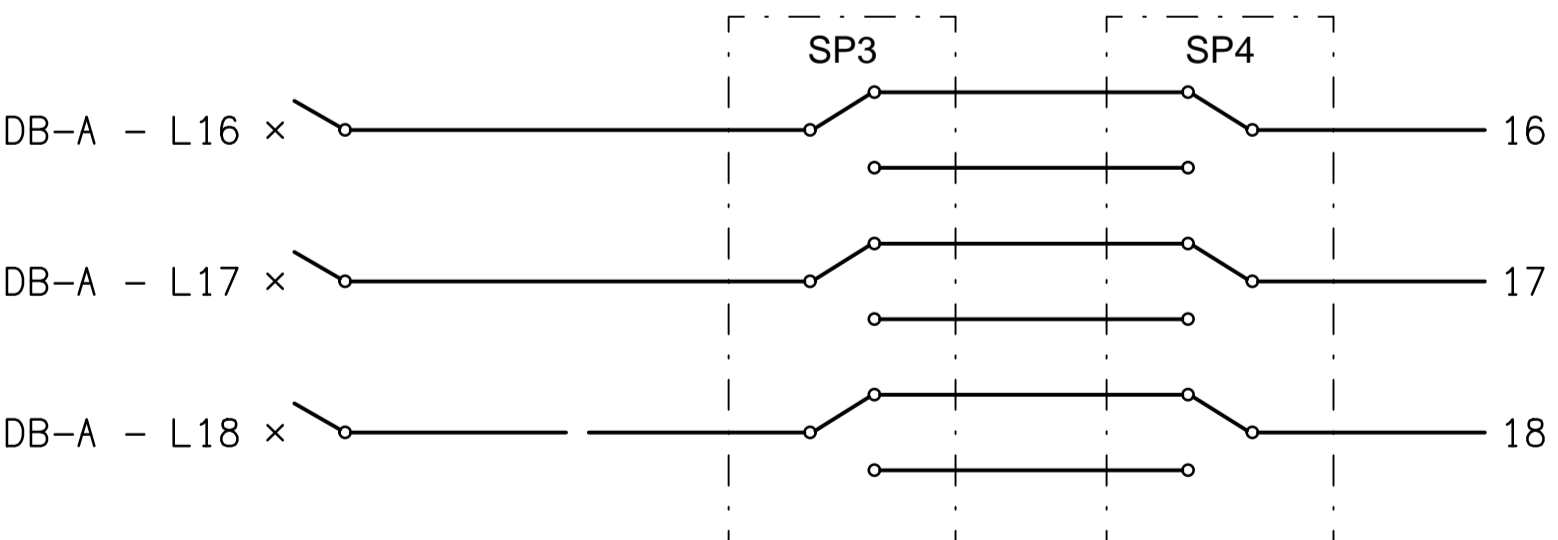
**SCHEMATIC**  
SP1 / SP2 LIGHTING CONTROL  
NOT TO SCALE



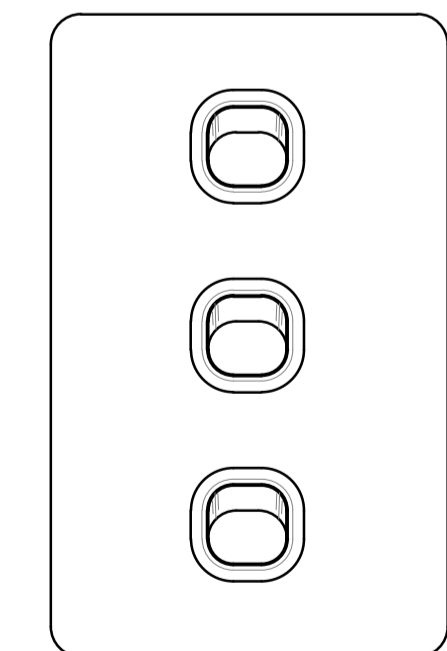
**DETAIL**  
SP1 SWITCH PANEL ELEVATION  
NOT TO SCALE



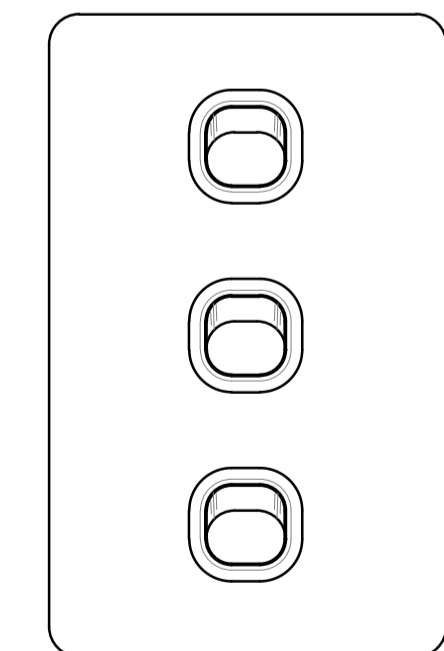
**DETAIL**  
SP2 SWITCH PANEL ELEVATION  
NOT TO SCALE



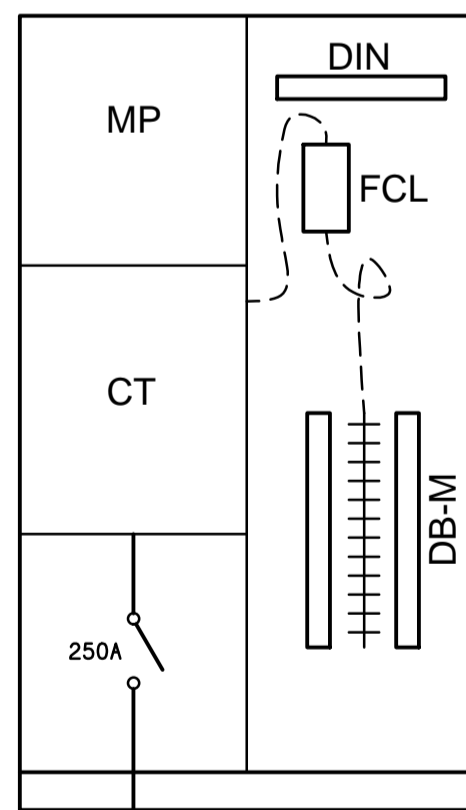
**SCHEMATIC**  
SP3 / SP4 LIGHTING CONTROL  
NOT TO SCALE



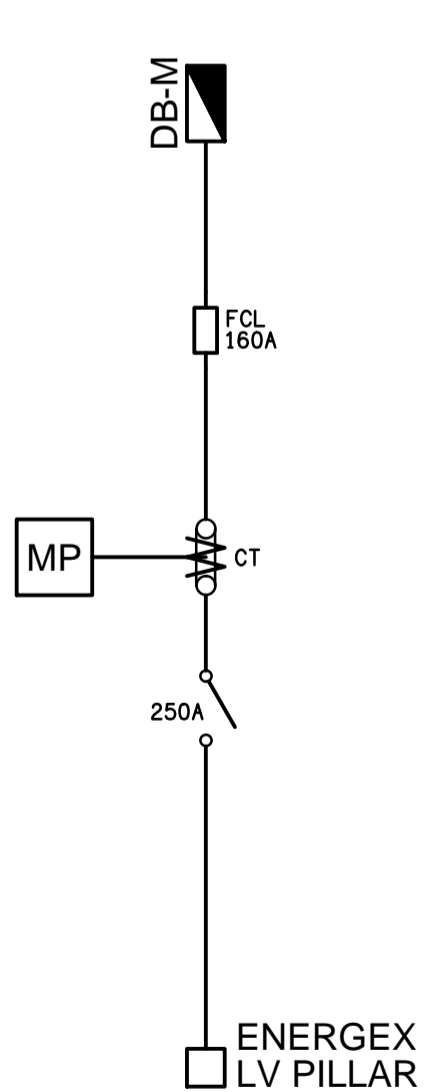
**DETAIL**  
SP3 SWITCH PANEL ELEVATION  
NOT TO SCALE



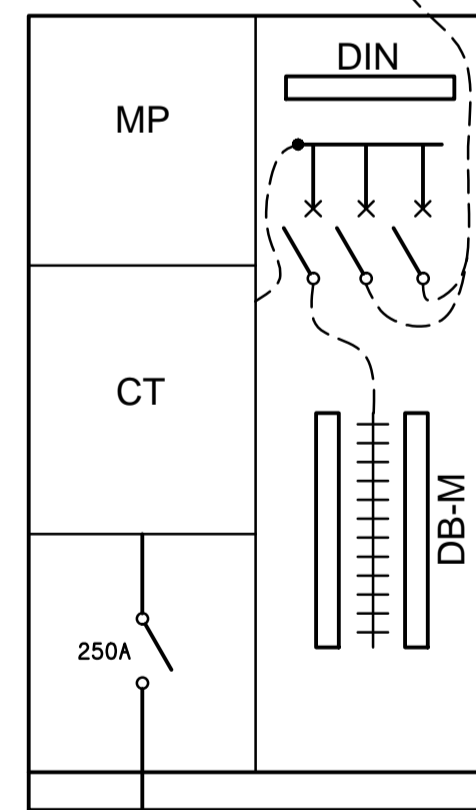
**DETAIL**  
SP4 SWITCH PANEL ELEVATION  
NOT TO SCALE



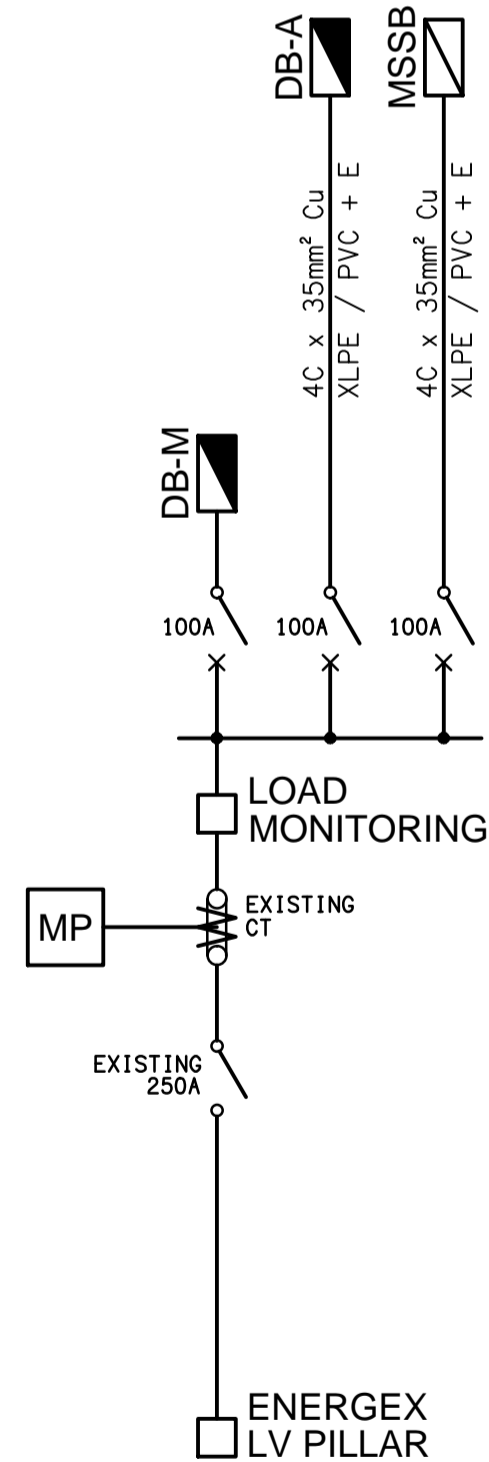
**EXISTING MSB**  
DETAIL ELEVATION  
NOT TO SCALE



**EXISTING MSB**  
SCHEMATIC  
NOT TO SCALE



**PROPOSED MSB**  
DETAIL ELEVATION  
NOT TO SCALE



**PROPOSED MSB**  
SCHEMATIC  
NOT TO SCALE